



Installation/Masonry Clip Instructions

LINCOLN WINDOWS & PATIO DOORS

These instructions are to be used when installation clips are required for the installation of units installed in masonry applications, some products that are supplied with wide exterior trim and high performance upgrades. Refer to the detailed installation instructions that have been sent with this unit for complete installation instructions.

Before unit prep and installation make sure all applicable hardware and fasteners are present. Also needed are 8 penny nails (2 per clip) that will connect the clip to the rough opening frame.

If your window/door product already has the installation clips factory applied, skip to Step 2.

- 1) Windows that are being installed into a masonry application may not have the clips factory applied. In this case, place a clip 3" from each corner and fasten with two #7 x 5/8" long screws. (Fig. 1)

The rounded end of the clip should be pointed to the exterior of the product against the back of the nailfin/brickmould. Additional clips will need to be applied about every 12-15" over the height and width of the product - excluding the sill.

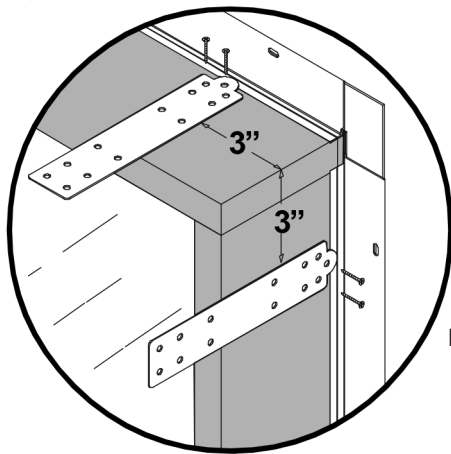


Figure 1

- 3) Once the clip is rotated into place use the left over screw and fasten it to one of the hole locations near the nailfin/brickmould (Fig. 3)

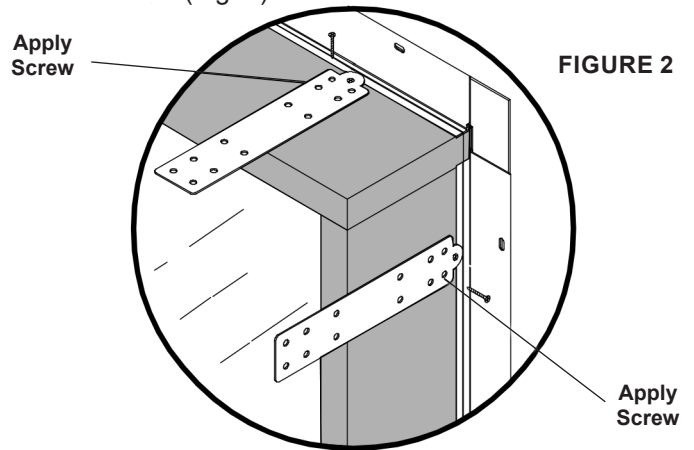


FIGURE 2

- 4) Being careful to not unnecessarily bend clips, prep and place unit into rough opening in accordance with the installation instructions provided by Lincoln Wood Products, Inc.

NOTE: Unit must be installed square, plumb, and level per Lincoln installation instructions or warranty may be void.

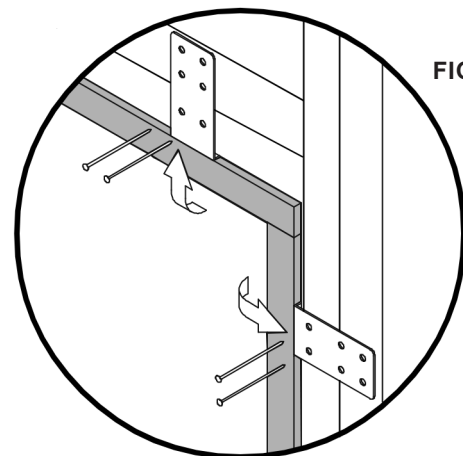


FIGURE 4

- 2) For units that were shipped with the installation clips factory applied, remove the bottom screw on the installation clip and rotate the clip towards the interior. (Fig. 2)

Remove Screw & Rotate Clip 90°

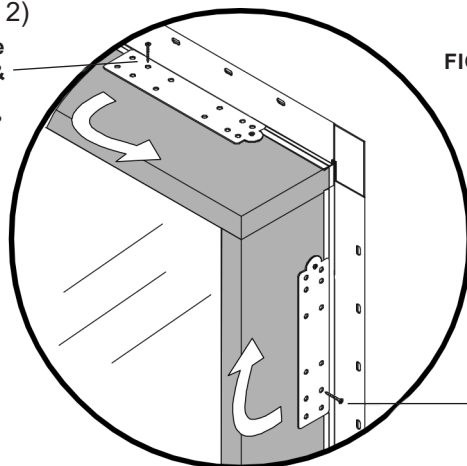


FIGURE 2

Remove Screw & Rotate Clip 90°

- 5) With unit installed bend clips and fasten to the interior rough opening frame using two 8 penny nails per clip (fig. 4). There are 3 locations available to fasten the clip to the rough opening and any extra material from the clip can be removed with a metal snip.

This concludes the addendum for installation of units with installation clips. **Please refer back to the installation instructions for the remainder of the unit installation.**